



AI<sup>3</sup> Project

Suguru Yamaguchi, NAIST

and

Jun Takei, INTEL

# Outline

- Quick overview
  - What is AI<sup>3</sup>?
    - AI<sup>3</sup> Objective
    - AI<sup>3</sup> Partners
  - AI<sup>3</sup> Activities

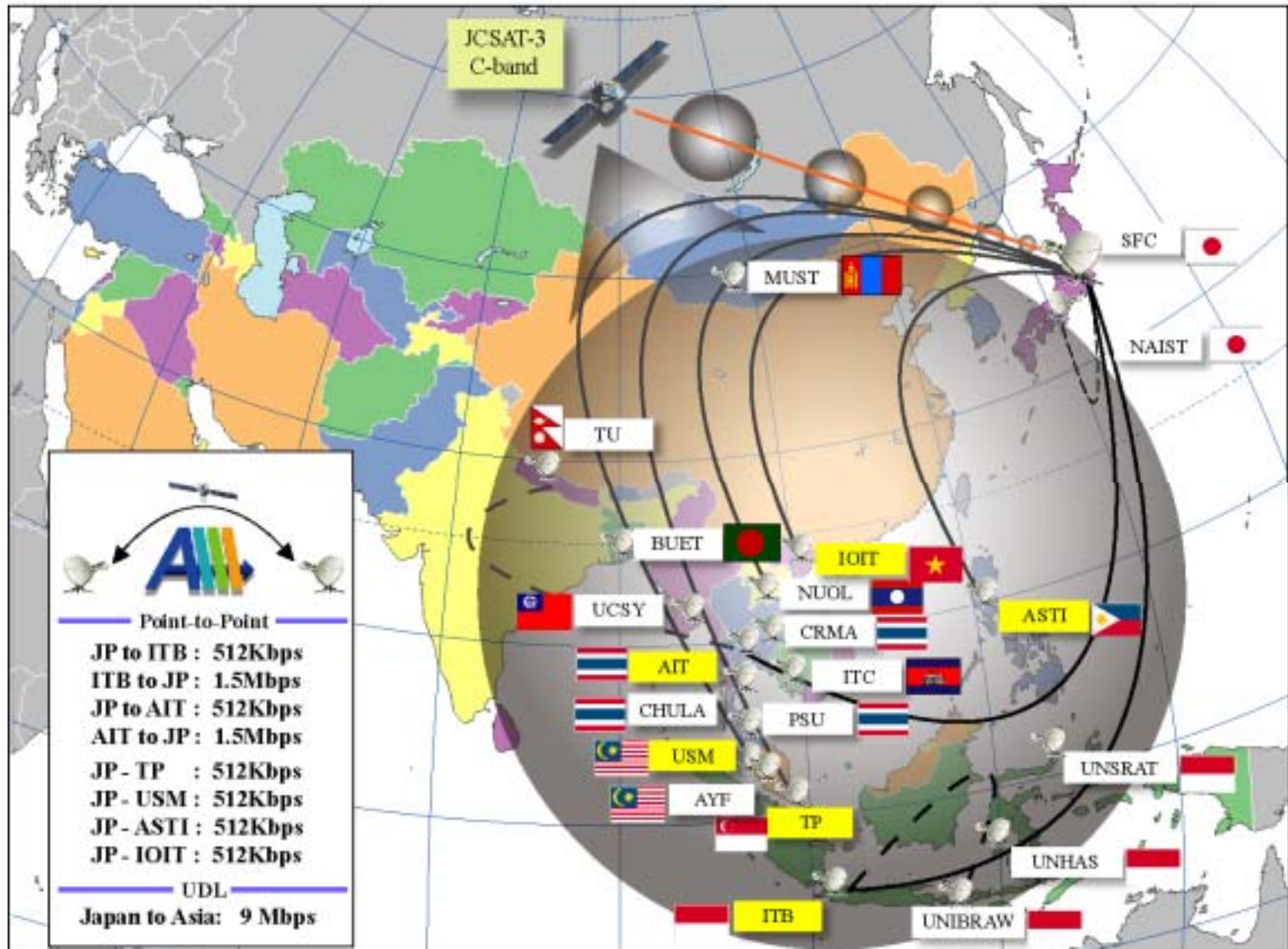
# What is AI<sup>3</sup> Project?

- Asian Internet Interconnection Initiatives
  - An international research consortium among research institutes in Asian region
  - Started in 1995
- Objective
  - To form a group of researchers to develop leading edge technologies for the Internet

# Partners List

- AI<sup>3</sup> Partners  
(Connected by BDL)
  - AIT (Thailand)
  - ITB (Indonesia)
  - TP (Singapore)
  - USM (Malaysia)
  - IOIT (Vietnam)
  - ASTI (Philippines)
  - KEIO (Japan)
  - NAIST (Japan)
- SOI-ASIA Partners  
(Connected by UDL)
  - 4 from Indonesia
  - 3 from Thailand
  - 1 each from Philippines
  - 1 from following countries
    - Malaysia
    - Laos
    - Myanmar
    - Cambodia
    - Bangladesh
    - Mongolia
    - Nepal
  - Some AI<sup>3</sup> Partners

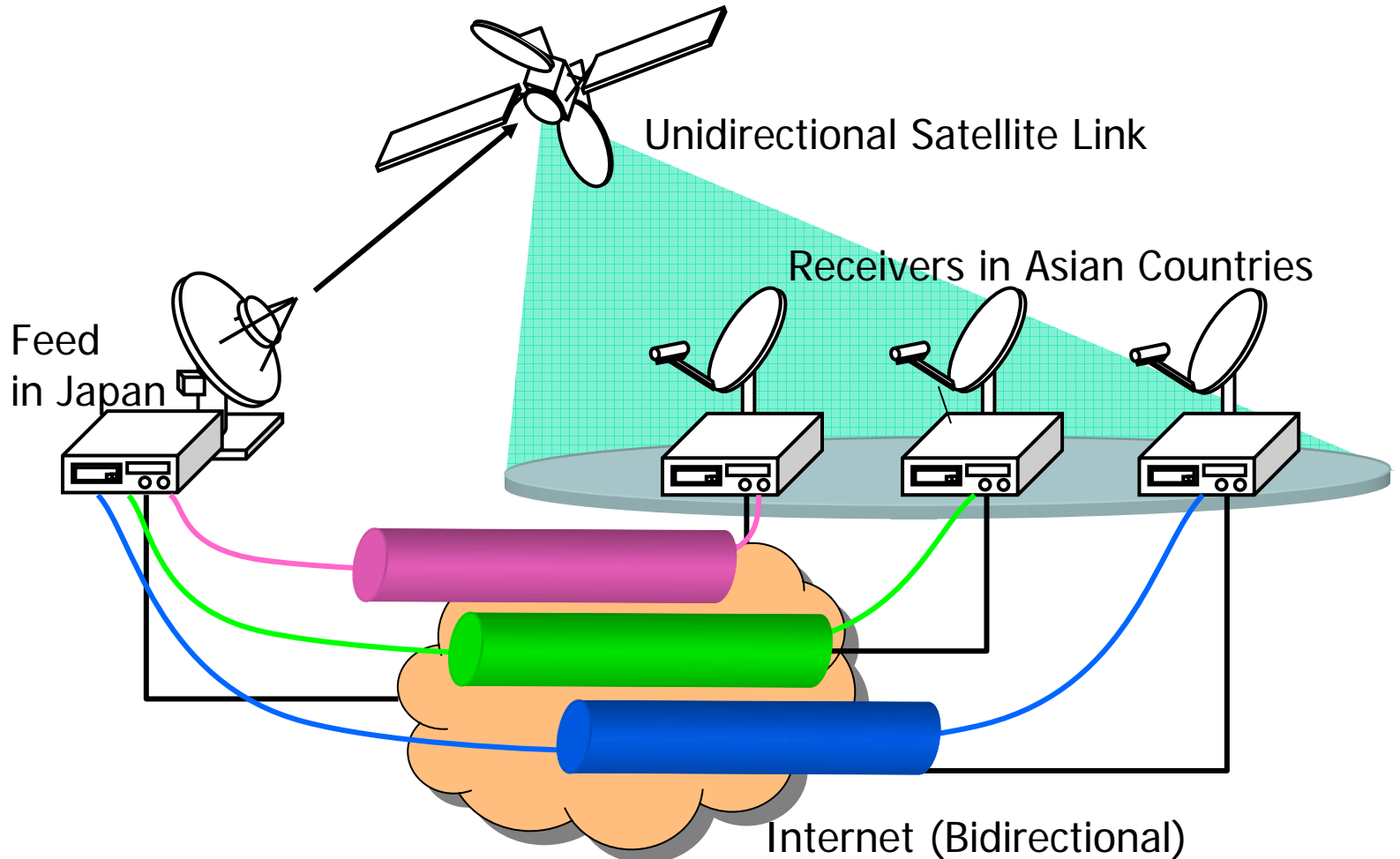
# AI<sup>3</sup> Network



# AI<sup>3</sup> Activities

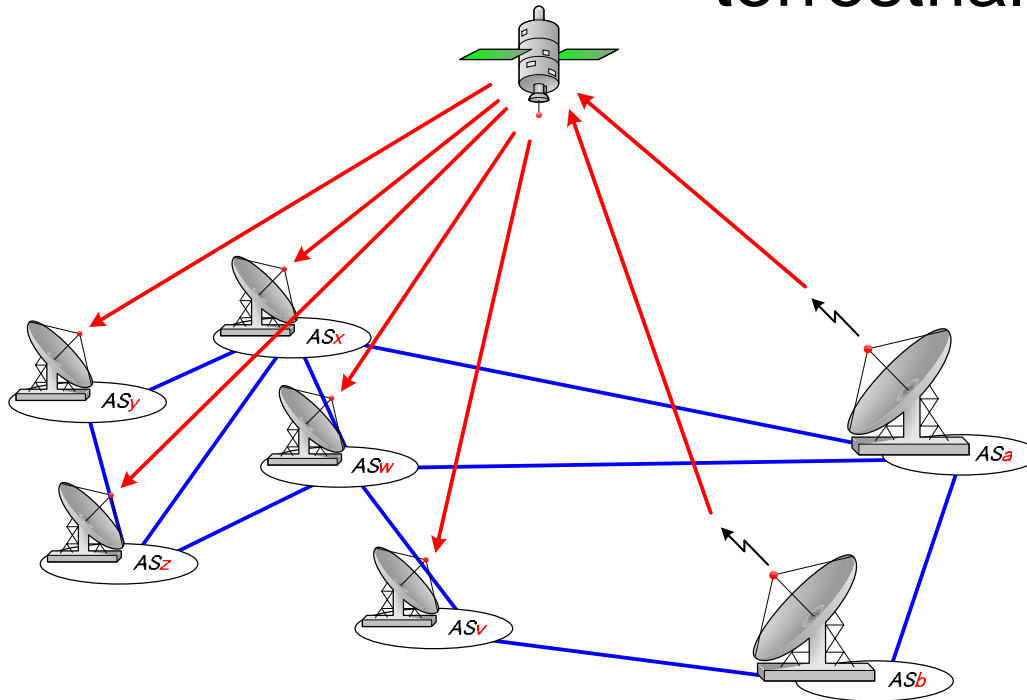
- Meeting twice a year
- Research subjects
  - IPv4
    - BGP peering with partners
  - IPv6
    - BGP4+ with Malaysia
    - OSPFv3
  - UDL
    - UDLR
    - Policy Routing
  - DBA
  - MWD
  - Inter-domain Multicast
  - Policy Routing

# UDLR (Unidirectional Link Routing)



# Inter-domain Multicast

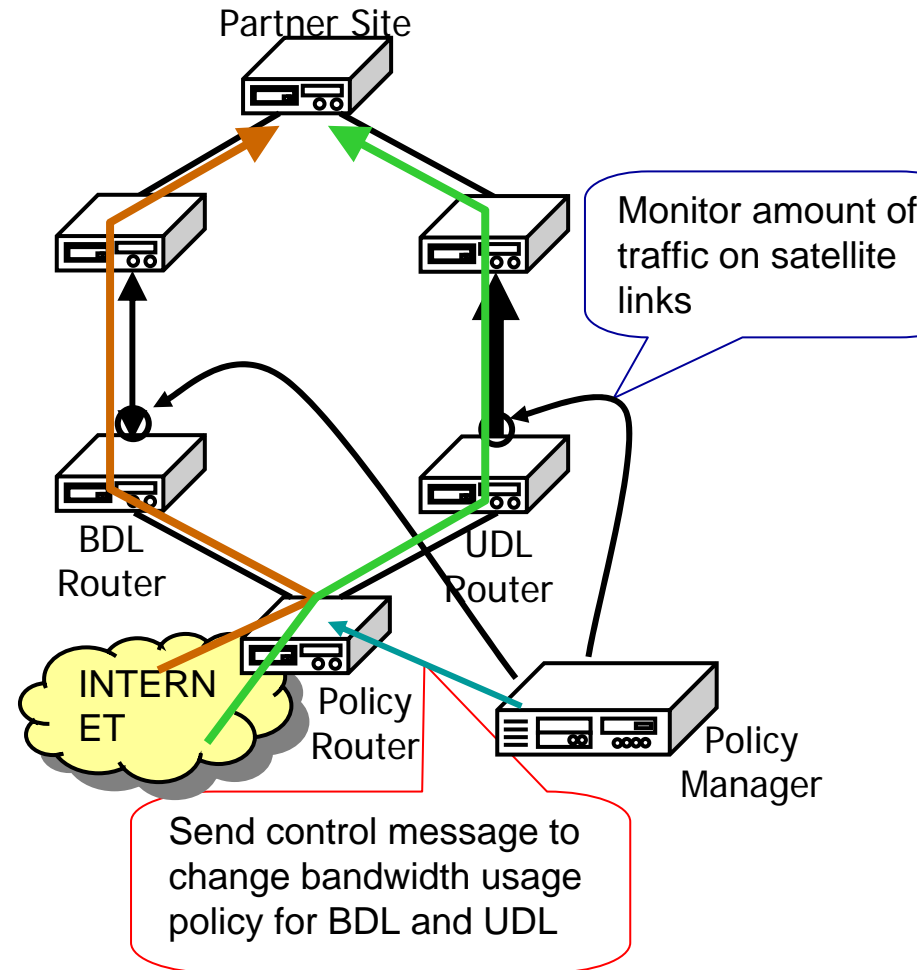
- Satellite UDL as inter-domain multicast links
- Provide shortcuts to remove multicast states in intermediate terrestrial routers





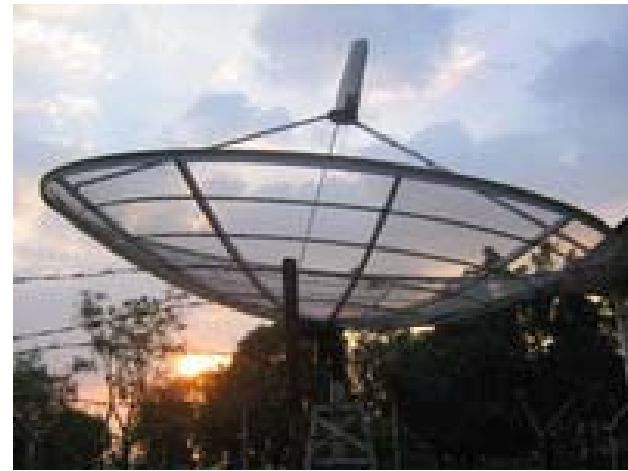
# Policy Routing

- Optimize satellite link utilization for a site that has two links
- Flow-based policy



# Antenna Picture Award 2004

- Once every other year



Thank you for your attention



<http://www.ai3.net/>